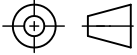


THIRD ANGLE PROJECTION

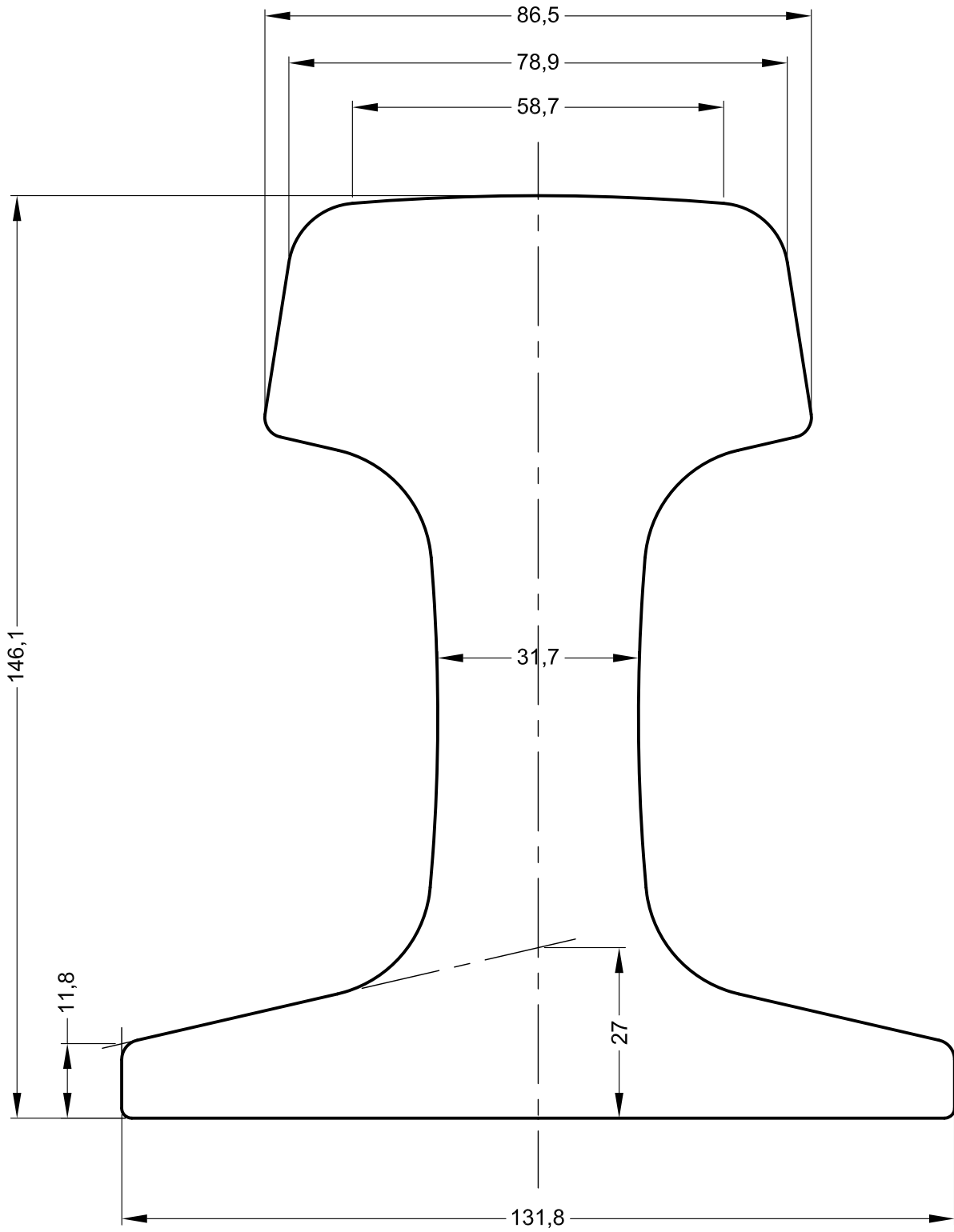


FOR GUIDANCE ONLY
THIS INFORMATION HAS BEEN
PROVIDED IN GOOD FAITH BUT
SPECIFICATIONS DO CHANGE

Edition B

Date 06/07/10

Scale 1:1 @ A4



NOTE: THE PROPERTIES SPECIFIED BELOW HAVE BEEN CALCULATED USING AUTOCAD SOFTWARE AND ARE ACCURATE AT THE TIME OF THIS DRAWING ISSUE. THESE FIGURES MAY DIFFER SLIGHTLY FROM THOSE PUBLISHED IN THE STANDARD FOR THE RAIL.

GANTRAIL[®]

Rail Mounting Systems

THE TECHNICAL DATA CONTAINED IN THIS DRAWING IS THE PROPERTY OF GANTRY RAILING LIMITED AND IS SUBJECT TO COPYRIGHT ©

Gantry Railing Limited

SUDMEADOW ROAD, HEMPSTED
GLOUCESTER GL2 5HG, ENGLAND
Tel: (01452)300688 Fax (01452)300198
International Dialling # 44.1452
<http://www.gantrail.com>
E-Mail: info@gantrail.com

Rail Designation	135 CR (MRS 67)
Rail Origin	USA
Standard	ASTM A759
Area of section	8623 mm ²
Calculated Mass	67.1 kg/m
Neutral Axis to base	71.3 mm
Moment of Inertia	I _{xx} 2113 cm ⁴ I _{yy} 501 cm ⁴