

4120/15

Gantrail Bolted Fixing

www.gantrail.com

UK patent application No GB 1912155.7



Gantrail[®]

A world of crane rail expertise

4120/15

The **GANTRAIL 4120/15** adjustable crane rail clip is designed to fix heavy rails in the most arduous applications. It can withstand a horizontal force from the rail of up to 100kN (10.2 tonnes). Its low profile allows it to be used with cranes that are fitted with guide rollers.

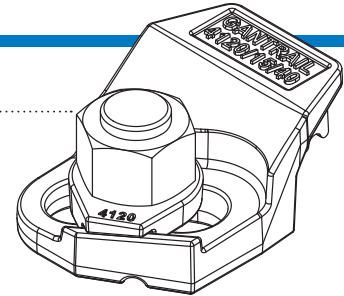
SPECIFICATIONS:

BOLT GRADE	8.8	10.9
MAX SIDE LOAD (kN)	75	100
BOLT TORQUE (Nm)	390	600

15mm HORIZONTAL RAIL ADJUSTMENT

DIMENSIONS (mm):

REF No.	X	Y (FULL NUT)	Y (THIN NUT)	Z	WEIGHT kg
4120/15/33	33	40	35	22	0.43
4120/15/40	40	40	35	22	0.44



FEATURES

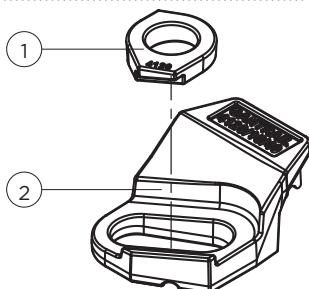
NEW

- Unique 'self-engaging' feature (patent pending) ensures all load bearing parts are in contact upon tightening of the bolt
- Offset washer design to ensure intuitive fool-proof installation
- Large clearance around nut to allow the use of impactor sockets
- Drain hole to prevent build up of contaminants and standing water

RETAINED

- The proven 'double-wedge' design causes self-locking and self-tightening
- The two parts are locked together upon tightening of the nut
- The clip is bolted to the rail support from above or below
- A special vulcanised rubber block applies a controlled force to the rail

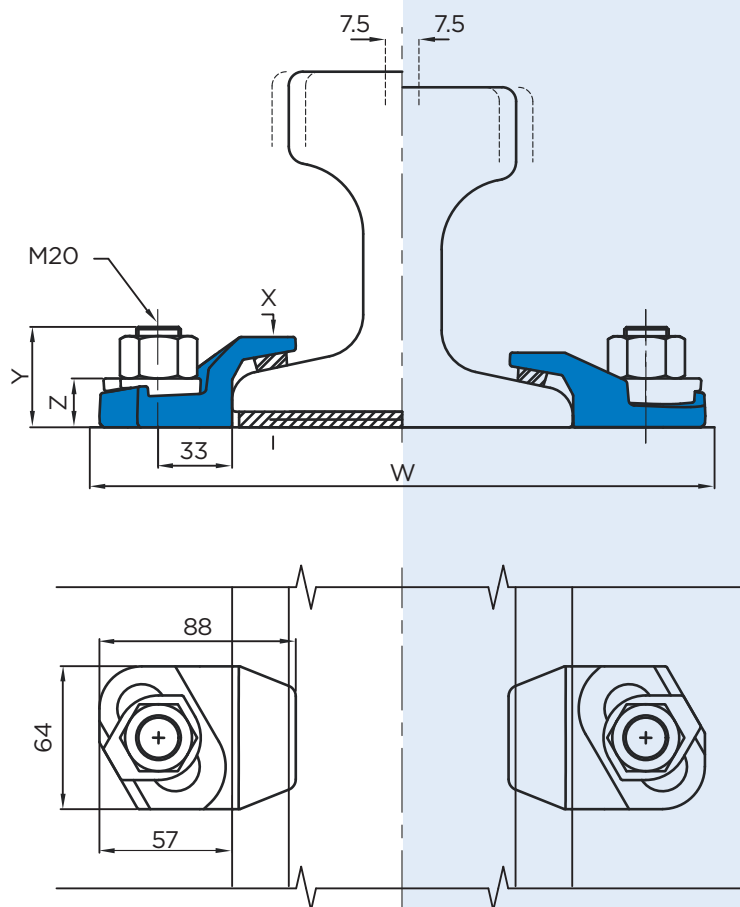
COMPONENTS



1. Special washer
2. Clip with integral rubber block

1 RAIL WITH PAD

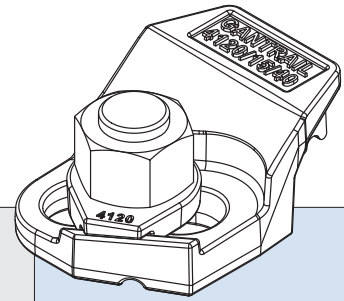
2 RAIL WITHOUT PAD

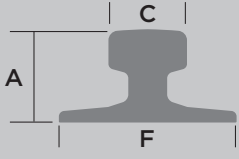


Minimum assembly width - $W = \text{Rail width (F)} + 129\text{mm}$

4120/15

Gantrail Bolted Fixing



	F mm	C mm	A mm	1. CLIP REFERENCE FOR RAIL WITH PAD	2. CLIP REFERENCE FOR RAIL WITHOUT PAD
A 65	175	65	75	4120/15/40	4120/15/33
A 75	200	75	85	4120/15/40	4120/15/33
A 100	200	100	95	4120/15/40	4120/15/33
S 33	105	58	134	4120/15/40	4120/15/33
S 41	125	67	138	4120/15/40	4120/15/33
S 49	125	67	149	4120/15/40	4120/15/33
S 54	125	67	154	4120/15/40	4120/15/33
56 E 1	140	70	159	4120/15/40	4120/15/33
104 CR	127	63.5	127	4120/15/40	4120/15/33
105 CR	131.8	65.1	131.8	4120/15/40	4120/15/33
MRS 67	131.8	79.4	146.1	4120/15/40	4120/15/33
MRS 87 A (PRI85R)	152	102	152	4120/15/40	4120/15/33
AFNOR 46	134	62	145	4120/15/40	4120/15/33
ISCR 60	105	60	105	4120/15/40	4120/15/33
ISCR 80	130	82	130	4120/15/40	4120/15/33
QU 70	120	70	120	4120/15/40	4120/15/33
QU 80	130	82	130	4120/15/40	4120/15/33
JIS 37	122	63	122	4120/15/40	4120/15/33
41 kg AS	127	65	136.5	4120/15/40	4120/15/33
50 kg AS	127	70	154	4120/15/40	4120/15/33
53 kg AS	146	70	157	4120/15/40	4120/15/33
UIC 54	140	70	159	4120/15/40	4120/15/33
UIC 60	150	72	172	4120/15/40	4120/15/33

This clip can be used for a wider selection of rails than illustrated. Please contact GANTRAIL for the full range of possible rails. All rails can be fastened with bolted or welded base clips. GANTRAIL may change or improve their products and also alter specifications without notice.

INSTALLATION INSTRUCTIONS:

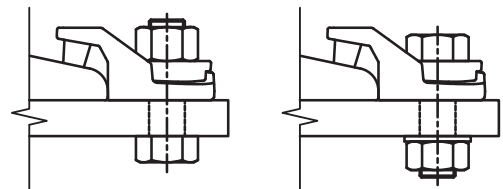
The hexagon headed fixing bolt can be inserted from above or below the supporting structure - see adjacent configurations.

If it is desired to fix the clip with a welded stud, this may be possible. Please consult GANTRAIL for guidance.

TIGHTENING TORQUE
Grade 8.8 bolt 390Nm
Grade 10.9 bolt 600Nm

Please contact GANTRAIL, for full installation instructions.

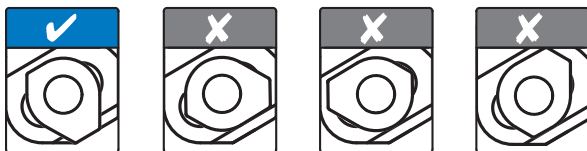
BOLT CONFIGURATIONS



Gantrail reserve the right to improve their products and also alter specifications without notice.

Gantrail disclaim any and all liability for any errors, inaccuracies or incompleteness contained in this datasheet.

POSITIONING OF SPECIAL WASHER



A world of crane rail expertise.

www.gantrail.com



Gantry Railing Ltd
Sudmeadow Road
Hempsted
Gloucester GL2 5HG
ENGLAND

Tel: +44 (0) 1452 300688
E-mail: info@gantrail.com



4120/15/DO/04/21