

9220/20

Gantrail Welded Base Fixing

www.gantrail.com



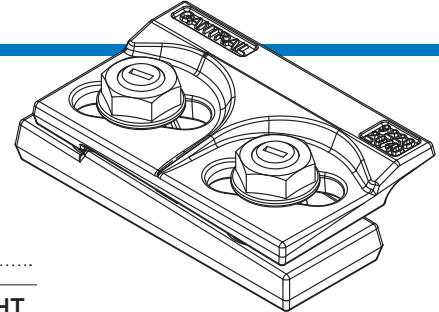
The GANTRAIL 9220/20 adjustable crane rail clip is designed to fix the largest rails in the most arduous applications. It can withstand a horizontal force from the rail of 235kN (24 tonnes). Its low profile allows it to be used with cranes that are fitted with guide rollers.

SPECIFICATIONS:

MAX SIDE LOAD 235kN
20mm HORIZONTAL RAIL ADJUSTMENT

DIMENSIONS (mm):

REF No.	X	Y	Z	WEIGHT kg
9220/20/40	40	49	33	2.48
9220/20/45	45	49	33	2.50
9220/20/52	52	49	33	2.62
9220/20/61	61	61	43	3.10

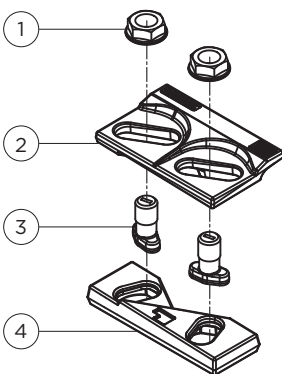


9220/20

FEATURES

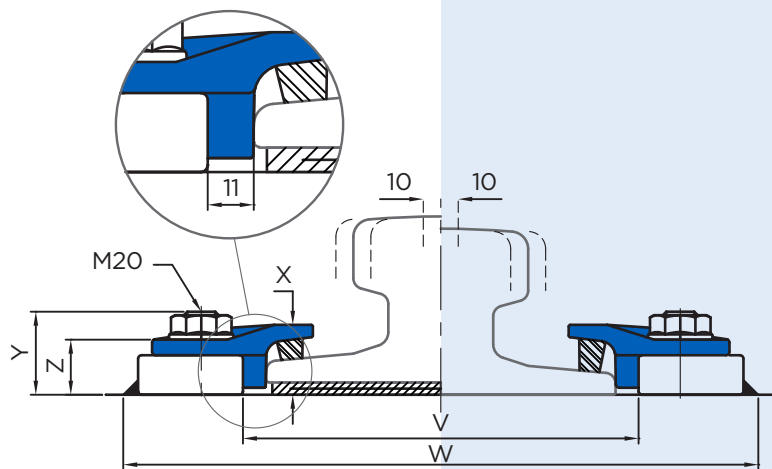
- The proven design has been used successfully for many years throughout the world.
- The clip is welded to the rail support. No access is required from below.
- The two main parts are locked together on tightening the grade 8.8 bolts.
- The clip has a self-tightening mechanism.
- A special vulcanised rubber block applies a controlled force to the rail.

COMPONENTS

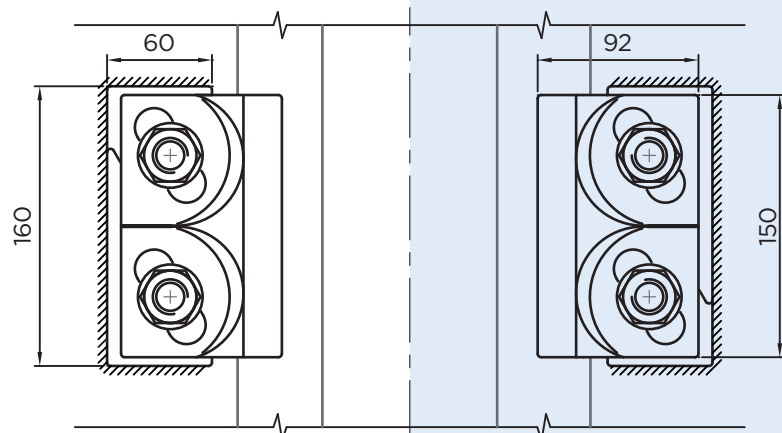


1. Flange nuts
2. Clip cap with integral rubber block
3. M20 Captive bolts
4. Weldable base

1 RAIL WITH PAD



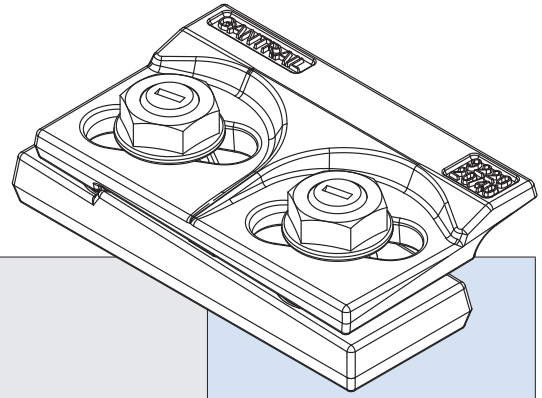
2 RAIL WITHOUT PAD

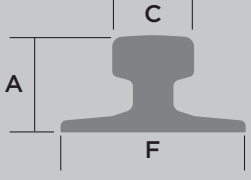


Minimum assembly width - W = Rail width (F) + 160mm V = Rail width (F) + 22mm

9220/20

Gantrail Welded Base Fixing



	F mm	C mm	A mm	1. CLIP REFERENCE FOR RAIL WITH PAD	2. CLIP REFERENCE FOR RAIL WITHOUT PAD
A 100	200	100	95	9220/20/40	9220/20/40
A 120	220	120	105	9220/20/40	9220/20/40
A 150	220	150	150	9220/20/45	9220/20/40
89 kg CR	178	102	114	9220/20/45	9220/20/40
164 kg CR	230	140	150	9220/20/61	9220/20/52
MRS 86	165	102	102	9220/20/40	9220/20/40
MRS 87 A (PRI85R)	152	102	152	9220/20/45	9220/20/40
MRS 125	180	120	180	9220/20/52	9220/20/45
MRS 192	229	140	157	9220/20/61	9220/20/52
MRS 221	220	220	160	9220/20/45	9220/20/40
ISCR 100	150	102	150	9220/20/40	9220/20/40
ISCR 120	170	120	170	9220/20/45	9220/20/45
ISCR 140	170	140	170	9220/20/45	9220/20/45
QU 100	150	100	150	9220/20/40	9220/20/40
QU 120	170	120	170	9220/20/45	9220/20/40
ISCOR 57	140	70	165	9220/20/40	9220/20/40
CR 73	140	100	135	9220/20/40	9220/20/40
CR 100	155	120	150	9220/20/45	9220/20/40
73 kg AS	146	70	157	9220/20/45	9220/20/40
86 kg AS	165	102	102	9220/20/45	9220/20/40

This clip can be used for a wider selection of rails than illustrated.

Please contact GANTRAIL for the full range of possible rails. All rails can be fastened with bolted or welded base clips. GANTRAIL may change or improve their products and also alter specifications without notice.

INSTALLATION INSTRUCTIONS:

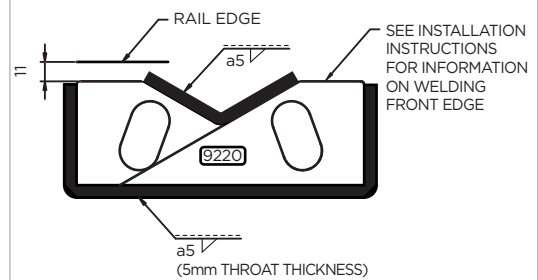
Weld along back and sides of clip base with a 5mm throat thickness fillet weld. Weld in 'V' with a 5mm throat thickness fillet weld. Use low hydrogen electrodes. Recommended electrodes AWS E7018 or E7028. Clip base is made from weldable grade steel.

If a continuous weld around the clip base is required, this is possible. Please consult GANTRAIL for guidance.

TIGHTENING TORQUE 350Nm

Please contact GANTRAIL, for full installation instructions.

WELD DETAIL



A world of crane rail expertise.

www.gantrail.com



Gantrail®
A world of crane rail expertise

Gantry Railing Ltd
Sudmeadow Road
Hempsted
Gloucester GL2 5HG
ENGLAND

Tel: +44 (0) 1452 300688
E-mail: info@gantrail.com



9220/20/DO/04/21