

# 2524/20

## Gantrail Bolted Fixing

www.gantrail.com

UK Patent Number GB2551404



The GANTRAIL 2524/20 adjustable crane rail clip is designed to fix heavy rails in the most arduous applications. It can withstand a horizontal force from the rail of up to 140kN (14.2 tonnes). Its low profile allows it to be used with cranes that are fitted with guide rollers.

### SPECIFICATIONS:

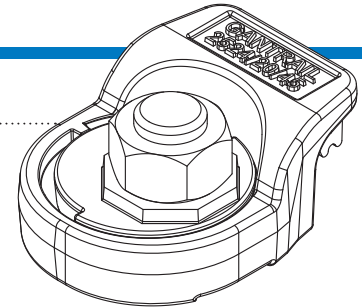
| BOLT GRADE         | 8.8 | 10.9 |
|--------------------|-----|------|
| MAX SIDE LOAD (kN) | 130 | 140  |
| BOLT TORQUE (Nm)   | 600 | 750  |

### 20mm HORIZONTAL RAIL ADJUSTMENT

### DIMENSIONS (mm):

| REF No.    | X  | Y (FULL NUT) | Y (THIN NUT) | Z  | WEIGHT kg |
|------------|----|--------------|--------------|----|-----------|
| 2524/20/45 | 45 | 55           | 50           | 30 | 1.1       |

\* weight without nut and bolt.

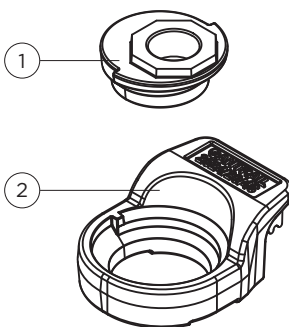


2524/20

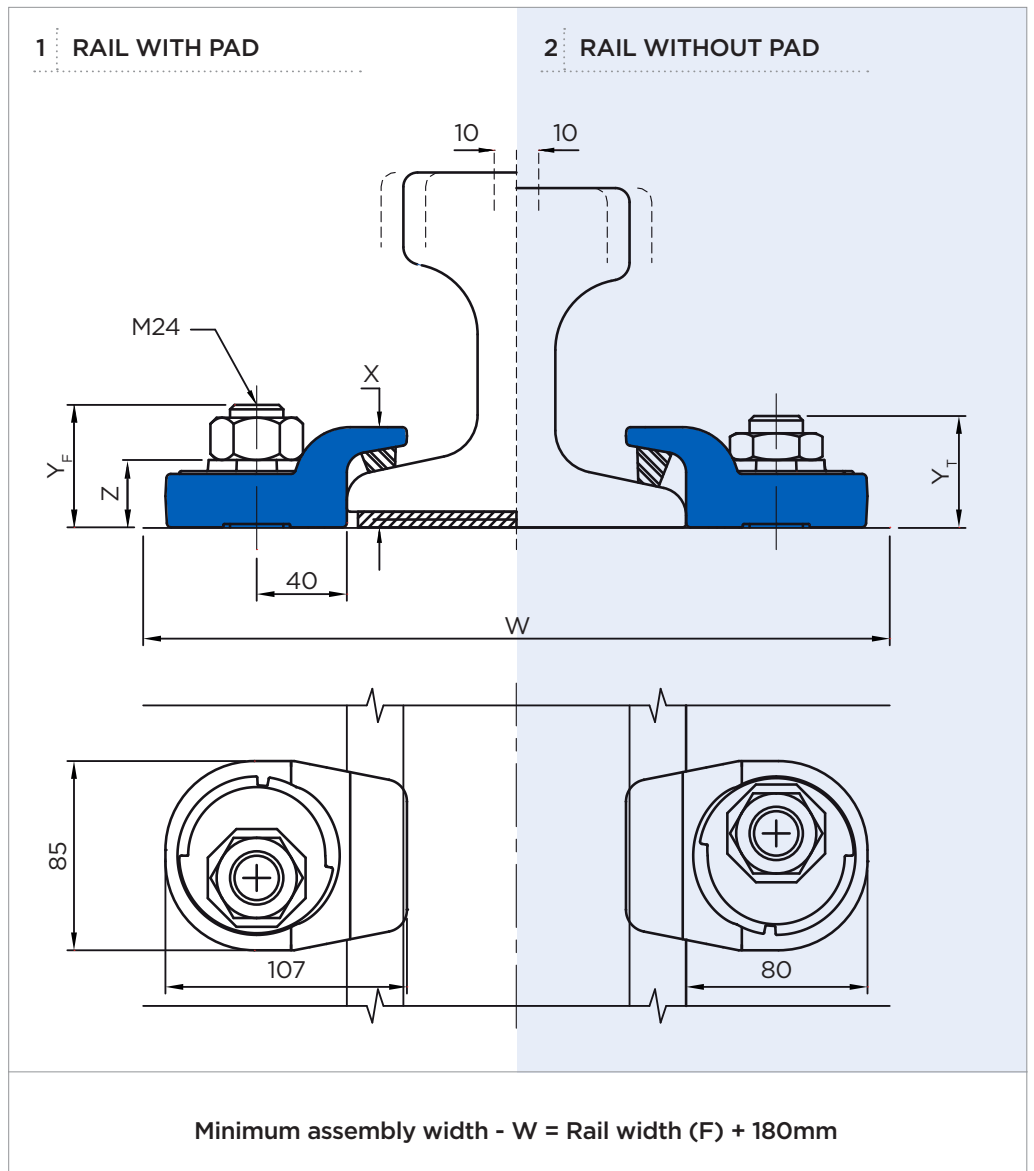
### FEATURES

- The clip has a unique self-tightening mechanism (patent pending)
- The unique design ensures that incorrect installation is avoided
- The clip is bolted to the rail support.
- The two main parts are locked together on tightening the nut.
- A special vulcanised rubber block applies a controlled force to the rail.

### COMPONENTS

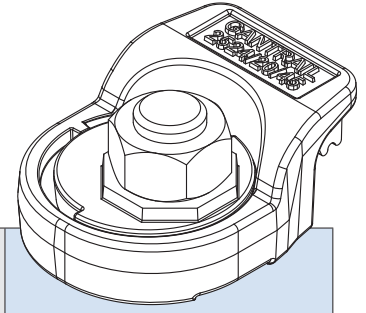


1. Clip cam
2. Clip body with integral rubber block



# 2524/20

## Gantrail Bolted Fixing



|          | F<br>mm | C<br>mm | A<br>mm | 1. CLIP REFERENCE<br>FOR PAD MOUNTED RAIL | 2. CLIP REFERENCE<br>FOR RAIL WITHOUT PAD* |
|----------|---------|---------|---------|---|--|
|          |         |         |         |   |  |
| 68 kg    | 152     | 75      | 186     | 2524/20/45                                | 2524/20/45                                 |
| 73 kg    | 146     | 70      | 157     | 2524/20/45                                | 2524/20/45                                 |
| 86 kg    | 165     | 102     | 102     | 2524/20/45                                | 2524/20/45                                 |
| A120     | 220     | 120     | 105     | 2524/20/45                                | 2524/20/45                                 |
| A150     | 220     | 150     | 150     | 2524/20/45                                | 2524/20/45                                 |
| MRS 73   | 146     | 70      | 157     | 2524/20/45                                | 2524/20/45                                 |
| MRS 86   | 165     | 102     | 102     | 2524/20/45                                | 2524/20/45                                 |
| MRS 87A  | 152     | 102     | 152     | 2524/20/45                                | 2524/20/45                                 |
| CR 73    | 140     | 100     | 135     | 2524/20/45                                | 2524/20/45                                 |
| CR 100   | 140     | 100     | 135     | 2524/20/45                                | 2524/20/45                                 |
| QU 120   | 150     | 100     | 150     | 2524/20/45                                | 2524/20/45                                 |
| ISCR 120 | 170     | 120     | 170     | 2524/20/45                                | 2524/20/45                                 |
| SP 120   | 170     | 120     | 170     | 2524/20/45                                | 2524/20/45                                 |
| 171 CR   | 152     | 103     | 152     | 2524/20/45                                | 2524/20/45                                 |
| 175 CR   | 152     | 102     | 152     | 2524/20/45                                | 2524/20/45                                 |

**This clip can be used for a wider selection of rails than illustrated.**

Please contact GANTRAIL for the full range of possible rails. All rails can be fastened with bolted or welded base clips. GANTRAIL may change or improve their products and also alter specifications without notice.

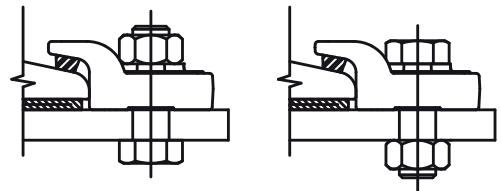
### INSTALLATION INSTRUCTIONS:

The hexagon headed fixing bolt can be inserted from above or below the supporting structure - see adjacent configurations.

TIGHTENING TORQUE  
Grade 8.8 bolt 600Nm  
Grade 10.9 bolt 750Nm

Please contact GANTRAIL, for full installation instructions.

### BOLT CONFIGURATIONS



## A world of crane rail expertise.

[www.gantrail.com](http://www.gantrail.com)



**Gantry Railing Ltd**  
Unit 11A  
Barnett Way  
Barnwood  
Gloucester GL4 3QA  
United Kingdom

Tel: +44 (0) 1452 300688  
E-mail: [info@gantrail.com](mailto:info@gantrail.com)



2524/20/DO/01/25