

# 4124/15

## Gantrail Bolted Fixing

www.gantrail.com

UK patent application No GB 1912155.7



4124/15

The GANTRAIL 4124/15 adjustable crane rail clip is designed to fix the largest rails in the most arduous applications. It can withstand a horizontal force from the rail of up to 140kN (14.3 tonnes). Its low profile allows it to be used with cranes that are fitted with guide rollers.

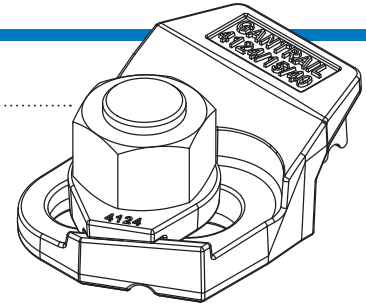
### SPECIFICATIONS:

BOLT GRADE	8.8	10.9
MAX SIDE LOAD (kN)	125	140
BOLT TORQUE (Nm)	600	750

### 15mm HORIZONTAL RAIL ADJUSTMENT

### DIMENSIONS (mm):

REF No.	X	Y (FULL NUT)	Y (THIN NUT)	Z	WEIGHT kg
4124/15/33	33	45	40	24	0.53
4124/15/40	40	45	40	24	0.54



### FEATURES

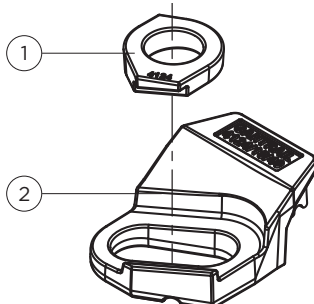
#### NEW

- Unique 'self-engaging' feature (patent pending) ensures all load bearing parts are in contact upon tightening of the bolt
- Offset washer design to ensure intuitive fool-proof installation
- Large clearance around nut to allow the use of impactor sockets
- Drain hole to prevent build up of contaminants and standing water

#### RETAINED

- The proven 'double-wedge' design causes self-locking and self-tightening
- The two parts are locked together upon tightening of the nut
- The clip is bolted to the rail support from above or below
- A special vulcanised rubber block applies a controlled force to the rail

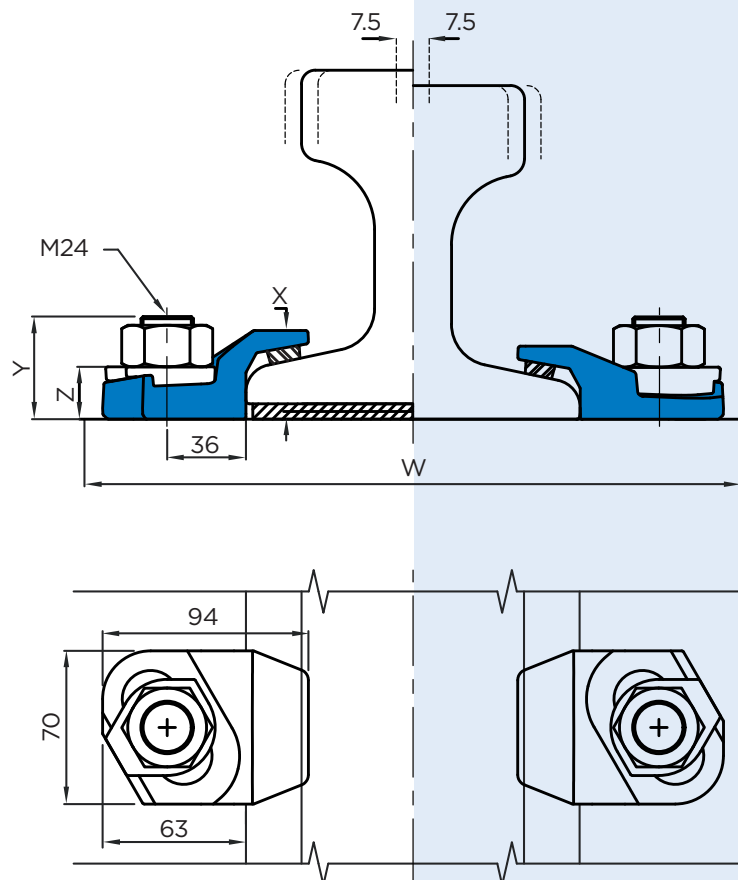
### COMPONENTS



1. Special washer
2. Clip with integral rubber block

#### 1 RAIL WITH PAD

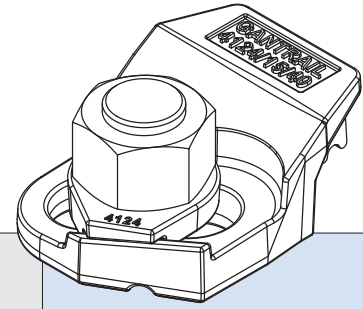
#### 2 RAIL WITHOUT PAD

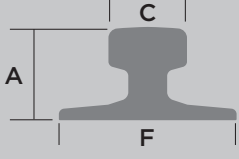


Minimum assembly width -  $W = \text{Rail width (F)} + 140\text{mm}$

# 4124/15

## Gantrail Bolted Fixing



	F mm	C mm	A mm	1. CLIP REFERENCE FOR RAIL WITH PAD	2. CLIP REFERENCE FOR RAIL WITHOUT PAD
A 100	200	100	95	4124/15/40	4124/15/33
A 120	220	120	105	4124/15/40	4124/15/33
A 150	220	150	150	4124/15/40	4124/15/33
S 54	125	67	154	4124/15/40	4124/15/33
MRS 67 (135 CR)	132	79	146	4124/15/40	4124/15/33
MRS 86	165	102	102	4124/15/40	4124/15/33
MRS 87 A (PRI85R)	152	102	152	4124/15/40	4124/15/33
MRS 87 B (175 CR)	152	102	152	4124/15/40	4124/15/33
MRS 125	180	120	180	-	4124/15/40
GCR 108	263	61 + 61	100	4124/15/40	4124/15/33
GCR 183	280	75	120	4124/15/40	4124/15/33
ISCR 100	150	102	150	4124/15/40	4124/15/33
ISCR 120	170	120	170	4124/15/40	4124/15/33
QU 100	150	100	150	4124/15/40	4124/15/33
QU 120	170	120	170	4124/15/40	4124/15/33
JIS 50	127	63	145	4124/15/40	4124/15/33
JIS 60	145	64	174	4124/15/40	4124/15/33
CR 73	140	100	135	4124/15/40	4124/15/33
UIC 54 E	125	66	161	4124/15/40	4124/15/33

This clip can be used for a wider selection of rails than illustrated.

Please contact GANTRAIL for the full range of possible rails. All rails can be fastened with bolted or welded base clips. GANTRAIL may change or improve their products and also alter specifications without notice.

### INSTALLATION INSTRUCTIONS:

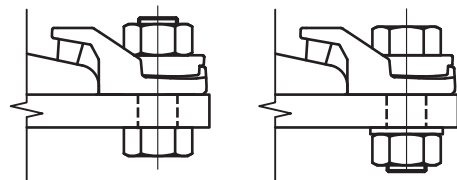
The hexagon headed fixing bolt can be inserted from above or below the supporting structure – see adjacent configurations.

If it is desired to fix the clip with a welded stud, this may be possible. Please consult GANTRAIL for guidance.

**TIGHTENING TORQUE**  
Grade 8.8 bolt 600Nm  
Grade 10.9 bolt 750Nm

Please contact GANTRAIL, for full installation instructions.

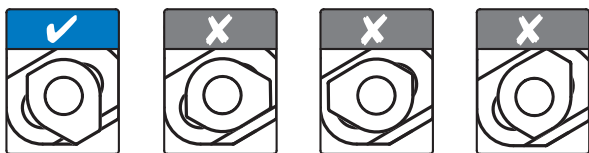
### BOLT CONFIGURATIONS



Gantrail reserve the right to improve their products and also alter specifications without notice.

Gantrail disclaim any and all liability for any errors, inaccuracies or incompleteness contained in this datasheet.

### POSITIONING OF SPECIAL WASHER



## A world of crane rail expertise.

[www.gantrail.com](http://www.gantrail.com)



**Gantry Railing Ltd**  
Unit 11A  
Barnett Way  
Barnwood  
Gloucester GL4 3QA  
United Kingdom

Tel: +44 (0) 1452 300688  
E-mail: [info@gantrail.com](mailto:info@gantrail.com)



4124/15/DO/01/25