

# 6124/20

## Gantrail Bolted Fixing

www.gantrail.com



The GANTRAIL 6124/20 adjustable crane rail clip is designed to fix heavy rails in the most arduous applications. It can withstand a horizontal force from the rail of 125kN (12.7 tonnes). Its low profile allows it to be used with cranes that are fitted with guide rollers.

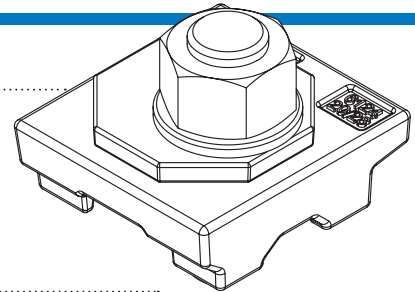
### SPECIFICATIONS:

BOLT GRADE	8.8
MAX SIDE LOAD (kN)	125

### 20mm HORIZONTAL RAIL ADJUSTMENT

### DIMENSIONS (mm):

REF No.	X	Y (FULL NUT)	Y (THIN NUT)	Z	WEIGHT kg
6124/20/28	28	65	55	35	0.90



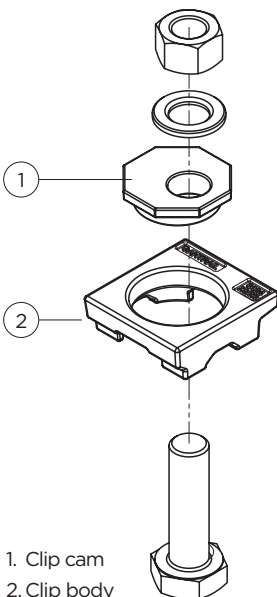
6124/20

### FEATURES

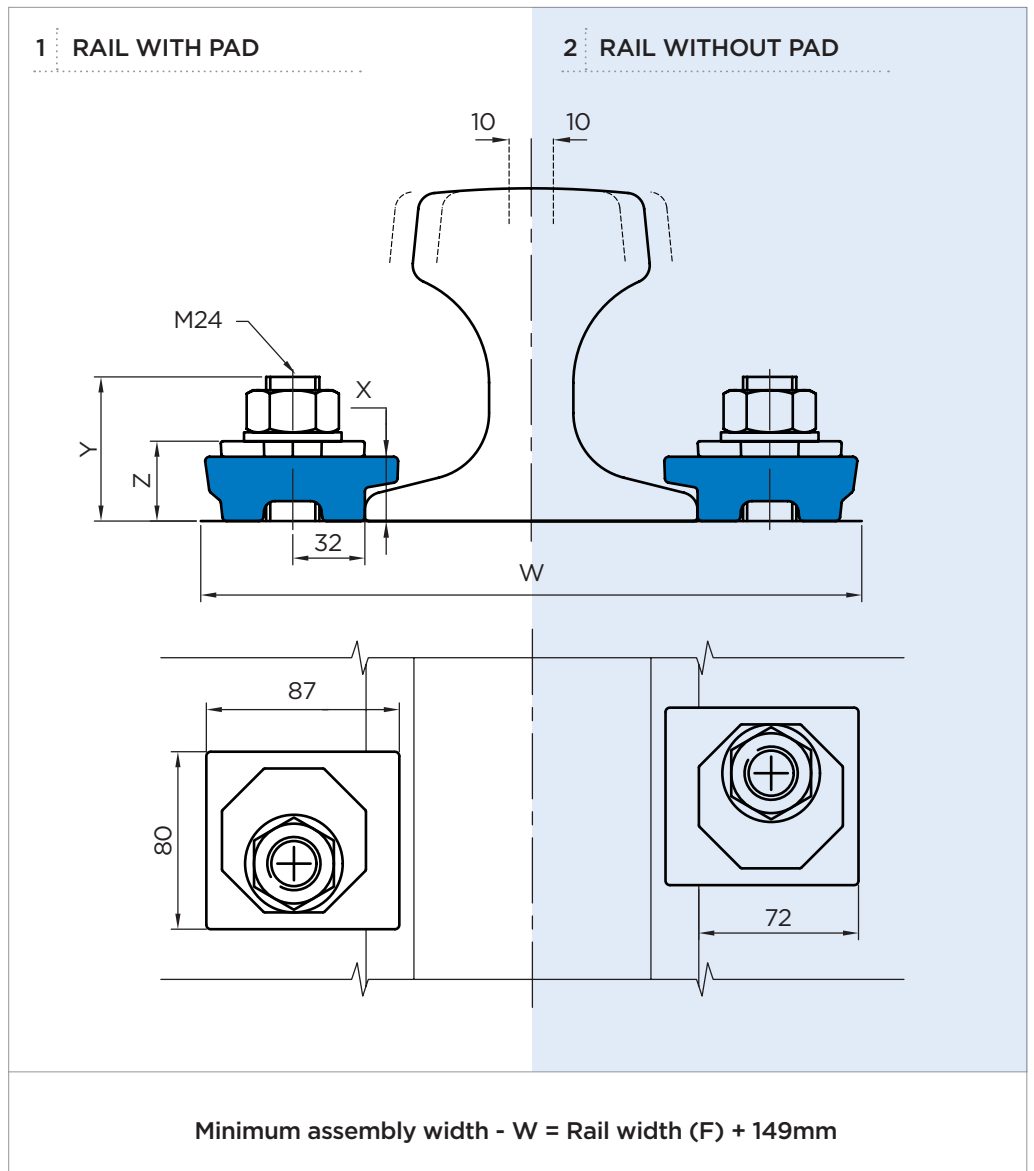
#### NEW

- The proven design has been used successfully for many years throughout the world.
- The clip is bolted to the rail support.
- The two main parts are locked together on tightening the nut.

### COMPONENTS

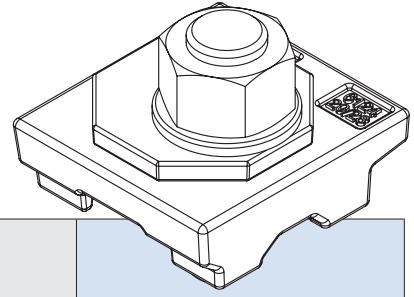


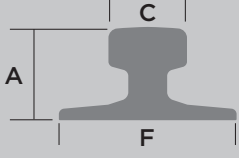
1. Clip cam
2. Clip body



# 6124/20

## Gantrail Bolted Fixing



	F mm	C mm	A mm	1. CLIP REFERENCE FOR RAIL WITH PAD	2. CLIP REFERENCE FOR RAIL WITHOUT PAD*
UIC60	150	72	172	Not applicable	6124/20/28
56 E1	140	70	159	Not applicable	6124/20/28
A 100	200	100	95	Not applicable	6124/20/28
A 120	220	120	105	Not applicable	6124/20/31
MRS 87A	152	102	152	Not applicable	6124/20/31
QU 100	150	100	150	Not applicable	6124/20/28
QU 120	150	100	150	Not applicable	6124/20/31
ISCR 100	150	100	150	Not applicable	6124/20/28
ISCR 120	170	120	170	Not applicable	6124/20/31

**This clip can be used for a wider selection of rails than illustrated.**

Please contact GANTRAIL for the full range of possible rails. All rails can be fastened with bolted or welded base clips. GANTRAIL may change or improve their products and also alter specifications without notice.

### INSTALLATION INSTRUCTIONS:

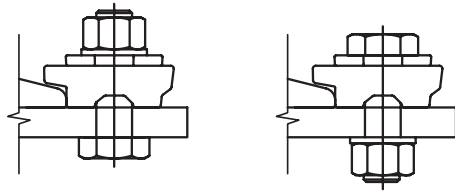
The hexagon headed fixing bolt can be inserted from above or below the supporting structure - see adjacent configurations.

If it is desired to fix the clip with a welded stud, this may be possible. Please consult GANTRAIL for guidance.

**TIGHTENING TORQUE**  
Grade 8.8 bolt 200Nm  
Grade 10.9 bolt 300Nm

Please contact GANTRAIL, for full installation instructions.

### BOLT CONFIGURATIONS



## A world of crane rail expertise.

[www.gantrail.com](http://www.gantrail.com)



**Gantry Railing Ltd**  
Unit 11A  
Barnett Way  
Barnwood  
Gloucester GL4 3QA  
United Kingdom

Tel: +44 (0) 1452 300688  
E-mail: [info@gantrail.com](mailto:info@gantrail.com)



6124/20/DO/01/25