

8119/15

Gantrail Welded Base Fixing

www.gantrail.com



Gantrail®

A world of crane rail expertise

The **GANTRAIL 8119/15** adjustable crane rail clip is designed to fix heavy rails in the most arduous applications. It can withstand a horizontal force from the rail of 120kN (12.2 tonnes). Its low profile allows it to be used with cranes that are fitted with guide rollers.

SPECIFICATIONS:

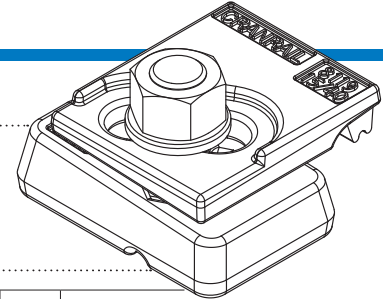
MAX SIDE LOAD 120kN
15mm HORIZONTAL RAIL ADJUSTMENT

DIMENSIONS (mm):

REF No.	X	Y (FULL NUT)	Y (FLANGE NUT)	Z	WEIGHT* kg
8119/15/40	40	60	55	36	1.36

* weight without nut, bolt and washer.

NOTE: Clip assembly not supplied with nut, bolt and washer unless requested

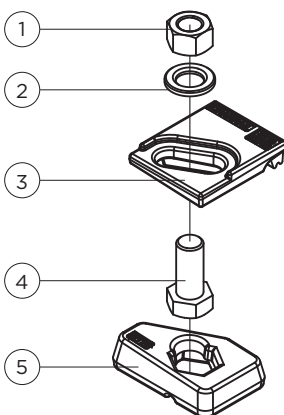


8119/15

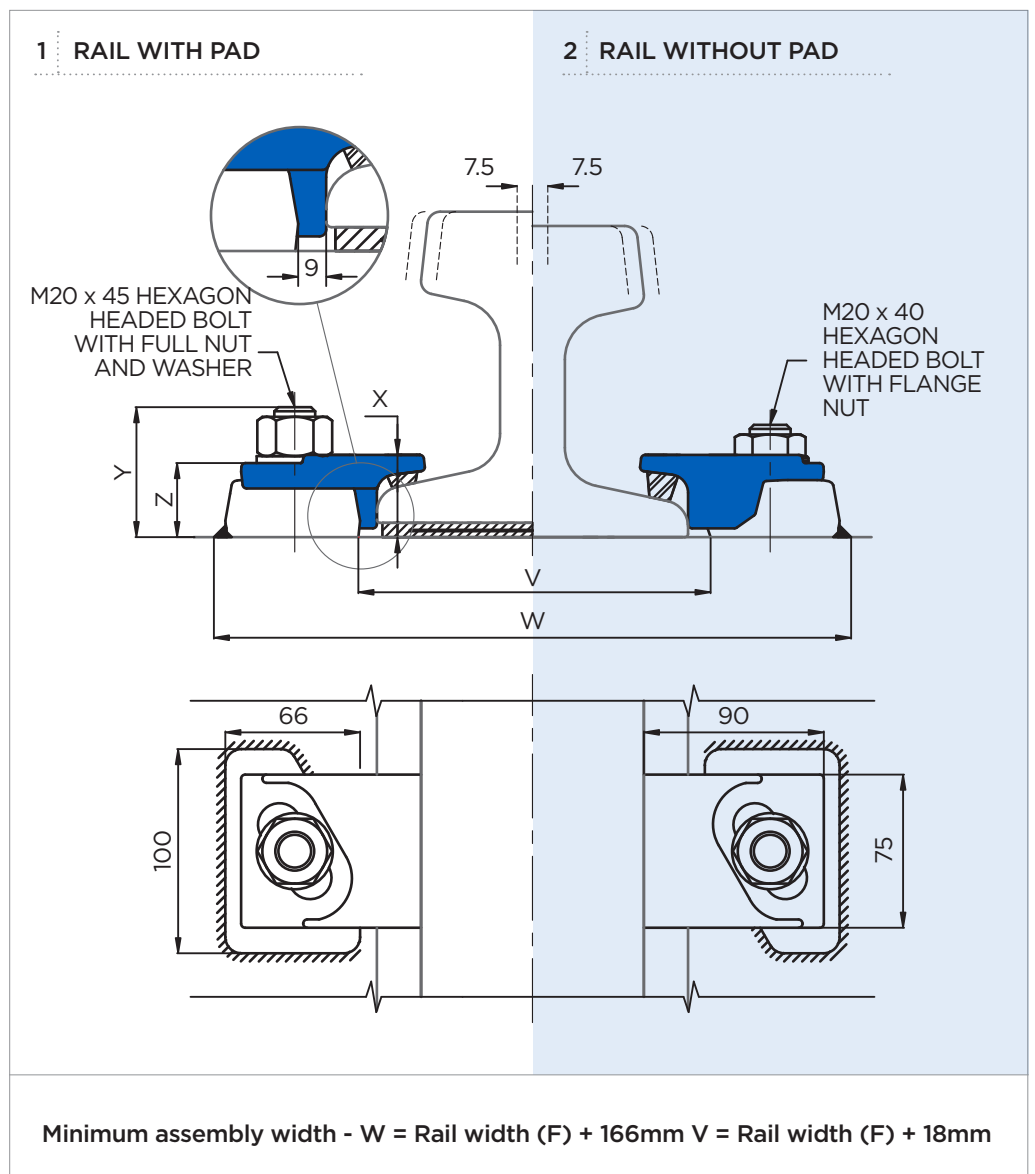
FEATURES

- The proven design has been used successfully for many years throughout the world.
- The clip is welded to the rail support. No access is required from below.
- The two main parts are locked together on tightening the grade 8.8 hexagon headed bolt.
- The clip has a self-tightening mechanism.
- A special vulcanised rubber block applies a controlled force to the rail.

COMPONENTS

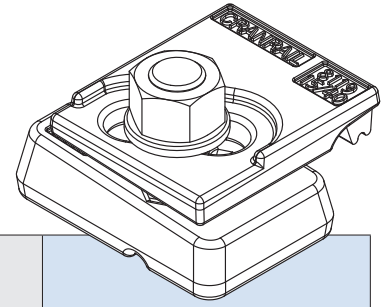


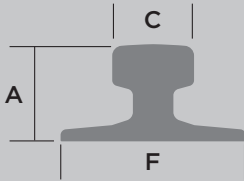
1. Nut
2. Hardened washer
3. Clip cap with integral rubber block
4. M20 hexagon headed bolt
5. Weldable base



8119/15

Gantrail Welded Base Fixing



	F mm	C mm	A mm	1. CLIP REFERENCE FOR RAIL WITH PAD	2. CLIP REFERENCE FOR RAIL WITHOUT PAD
A 100	200	100	95	8119/15/40	8119/15/40
A 120	220	120	105	8119/15/40	8119/15/40
S 54	125	67	154	8119/15/40	8119/15/40
MRS 51 (104 CR)	127	64	127	8119/15/40	8119/15/40
MRS 67 (135 CR)	132	79	146	8119/15/40	8119/15/40
MRS 85 (171 CR)	152	103	152	8119/15/40	8119/15/40
MRS 87 A (PRI85R)	152	102	152	8119/15/40	8119/15/40
MRS 87 B (175 CR)	152	102	152	8119/15/40	8119/15/40
ISCR 80	130	82	130	8119/15/40	8119/15/40
ISCR 100	150	102	150	8119/15/40	8119/15/40
ISCR 120	170	120	170	8119/15/40	8119/15/40
QU 80	130	80	130	8119/15/40	8119/15/40
QU 100	150	100	150	8119/15/40	8119/15/40
QU 120	170	120	170	8119/15/40	8119/15/40
ISCOR 57	140	70	165	8119/15/40	8119/15/40
CR 73	140	100	135	8119/15/40	8119/15/40
68 kg AS	152	73	186	8119/15/40	8119/15/40
86 kg AS	165	102	102	8119/15/40	8119/15/40

This clip can be used for a wider selection of rails than illustrated.

Please contact GANTRAIL for the full range of possible rails. All rails can be fastened with bolted or welded base clips. GANTRAIL may change or improve their products and also alter specifications without notice.

INSTALLATION INSTRUCTIONS:

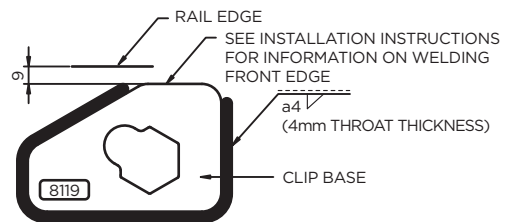
Weld all round the clip base, except the side closest and parallel to the rail, with a 4mm throat thickness fillet weld, using low hydrogen electrodes. Recommended electrodes AWS E7018 or E7028. Clip base is made from weldable grade steel.

If a continuous weld around the base is required, this is possible. Please consult GANTRAIL for guidance.

TIGHTENING TORQUE 250Nm

Please contact GANTRAIL, for full installation instructions.

WELD DETAIL



A world of crane rail expertise.

www.gantrail.com



Gantry Railing Ltd
Unit 11A
Barnett Way
Barnwood
Gloucester GL4 3QA
United Kingdom

Tel: +44 (0) 1452 300688
E-mail: info@gantrail.com



8119/15/DO/01/25