

2530/14

Gantrail Bolted Fixing

www.gantrail.com

UK Patent Number GB2551404



2530/14

The GANTRAIL 2530/14 adjustable crane rail clip is designed to fix heavy rails in the most arduous applications. It can withstand a horizontal force from the rail of 200kN (20.4 tonnes). Its low profile allows it to be used with cranes that are fitted with guide rollers.

SPECIFICATIONS:

BOLT GRADE	8.8
MAX SIDE LOAD (kN)	200
BOLT TORQUE (Nm)	900-1000

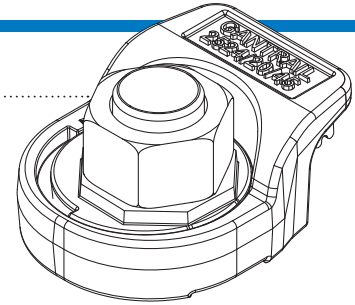
14mm HORIZONTAL RAIL ADJUSTMENT

DIMENSIONS (mm):

REF No.	X	Y	Z	WEIGHT kg
2530/14/45	45	66	33	1.1

* weight without nut, bolt and washer.

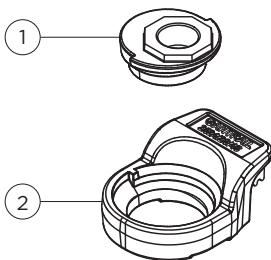
2530/14/45 clip comprises 2524/20/45 clip body and 2530 Cam



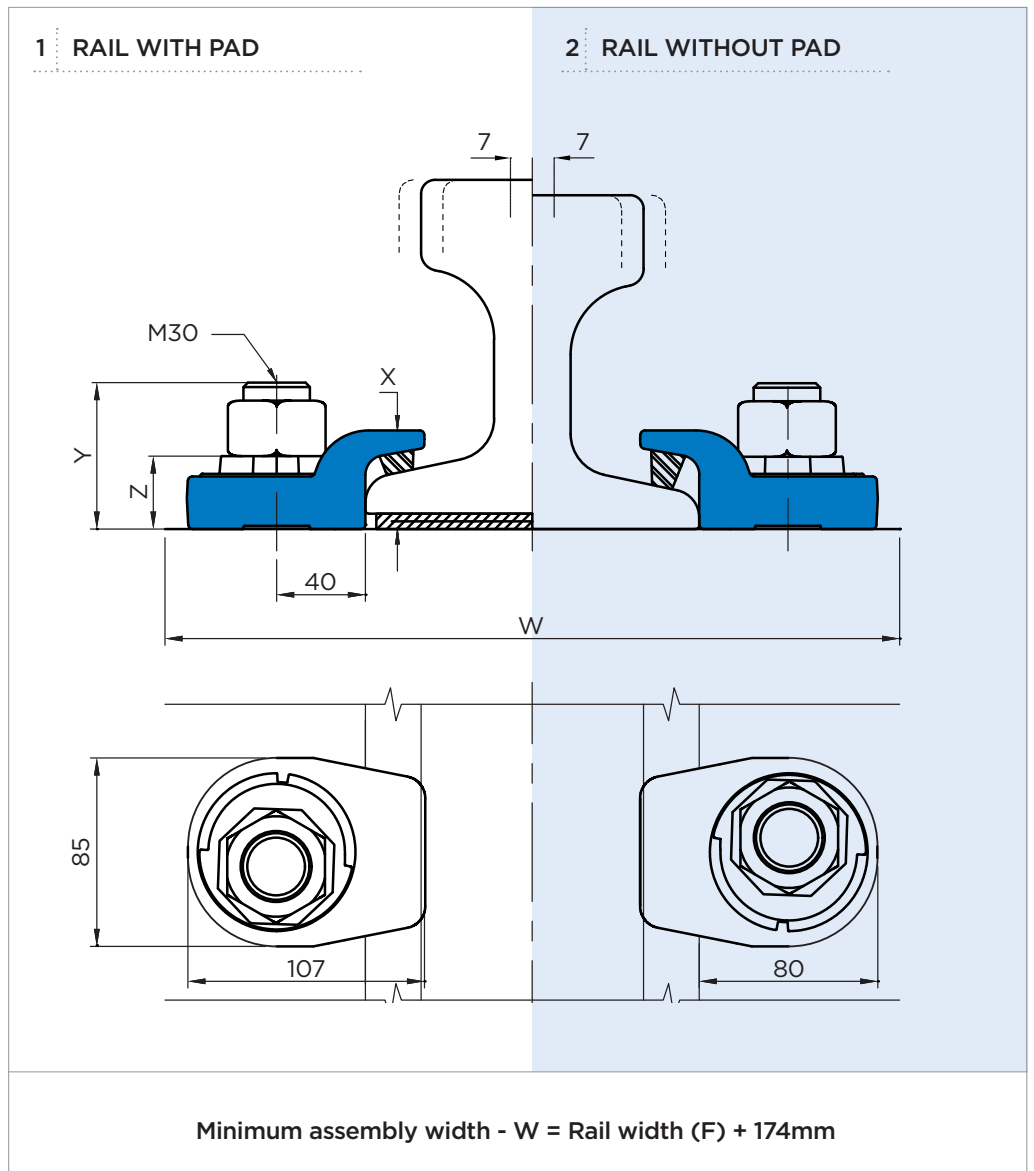
FEATURES

- The proven design has been used successfully for many years throughout the world.
- The clip has a unique selftightening mechanism (patent pending)
- The unique design ensures that incorrect installation is avoided
- The clip is bolted to the rail support.
- The two main parts are locked together on tightening the nut.
- A special vulcanised rubber block applies a controlled force to the rail.

COMPONENTS

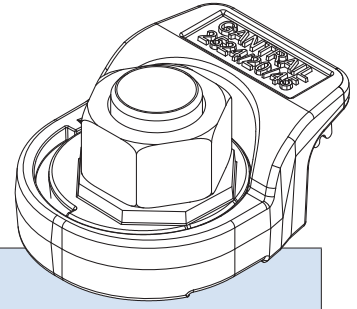


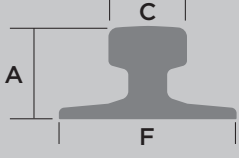
1. Clip cam
2. Clip body



2530/14

Gantrail Bolted Fixing



	F mm	C mm	A mm	1. CLIP REFERENCE FOR RAIL WITH PAD	2. CLIP REFERENCE FOR RAIL WITHOUT PAD*
68 kg	152	75	186	2530/14/45	2530/14/45
73 kg	146	70	157	2530/14/45	2530/14/45
86 kg	165	102	102	2530/14/45	2530/14/45
88 kg	152.4	74.6	185.7	2530/14/45	2530/14/45
A120	220	120	105	2530/14/45	2530/14/45
A150	220	150	150	2530/14/45	2530/14/45
MRS 73	146	70	157	2530/14/45	2530/14/45
MRS 86	165	102	102	2530/14/45	2530/14/45
MRS 87A	152	102	152	2530/14/45	2530/14/45
CR 73	140	100	135	2530/14/45	2530/14/45
CR 100	140	100	135	2530/14/45	2530/14/45
QU 120	150	100	150	2530/14/45	2530/14/45
ISCR 120	170	120	170	2530/14/45	2530/14/45
SP 120	170	120	170	2530/14/45	2530/14/45
171 CR	152	103	152	2530/14/45	2530/14/45
175 CR	152	102	152	2530/14/45	2530/14/45

This clip can be used for a wider selection of rails than illustrated.

Please contact GANTRAIL for the full range of possible rails. All rails can be fastened with bolted or welded base clips. GANTRAIL may change or improve their products and also alter specifications without notice.

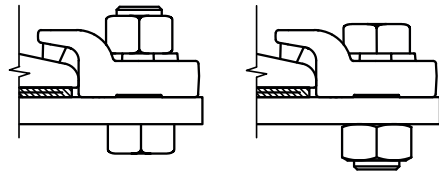
INSTALLATION INSTRUCTIONS:

The hexagon headed fixing bolt can be inserted from above or below the supporting structure - see adjacent configurations.

TIGHTENING TORQUE
Grade 8.8 bolt 900 - 1000Nm

Please contact GANTRAIL, for full installation instructions.

BOLT CONFIGURATIONS



A world of crane rail expertise.

www.gantrail.com



Gantry Railing Ltd
Sudmeadow Road
Hempsted
Gloucester GL2 5HG
ENGLAND

Tel: +44 (0) 1452 300688
E-mail: info@gantrail.com



2530/14/DO/04/21